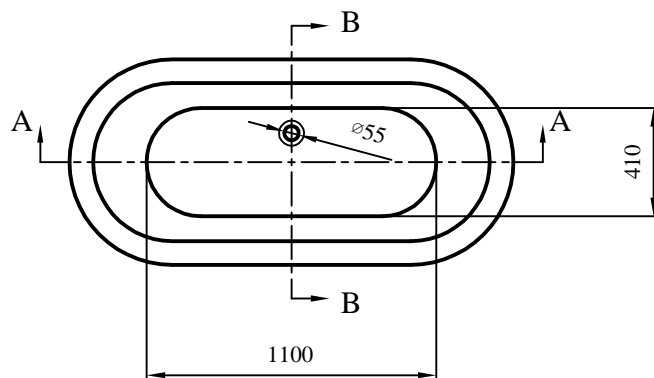
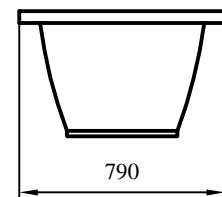
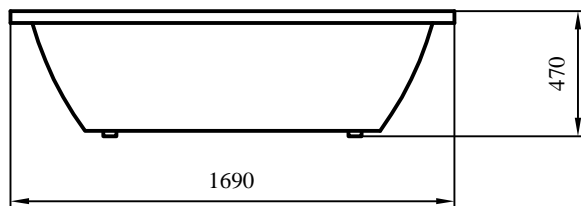


# Ciler

Item No.: A308

Measurement: 1690 × 790 × 470

Unit: mm



SECTION A-A

SECTION B-B

