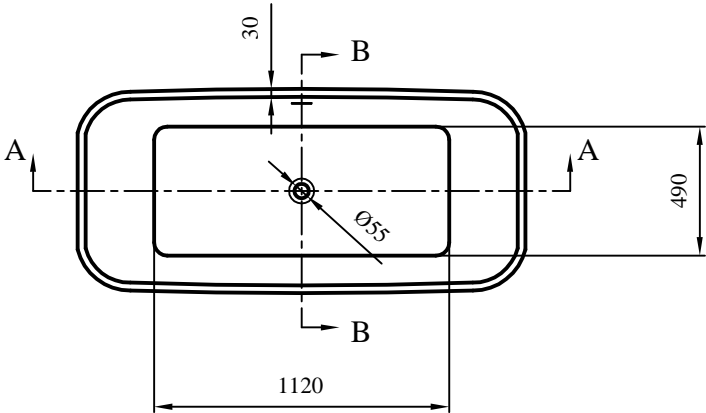
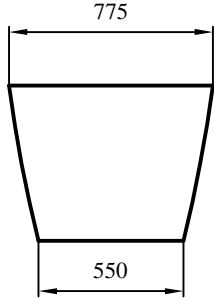
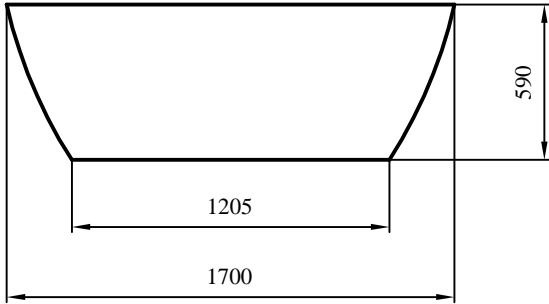


Item No.: A687

Measurement: 1700 × 775 × 590

Unit: mm



SECTION A-A

SECTION B-B

